

71" MARSHALL CAST IRON DOUBLE SLIPPER TUB WITH BASE

Cat. No.
CTDSHB



L: 71"
L (Base): 48"
W: 30-1/2"
W (Base): 26"
H: 31-1/8" (from floor to top of tub)
H(Base): 8-1/2"

The following is recommended for CTDSHB tubs with deck holes:

- Rim-mounted faucet: part #4601
- Straight bath supplies: part #5577
- Leg tub drain: part #5599

Note

To prevent the accumulation of standing water under your tub base we recommend using a bead of silicone between the base and the floor.

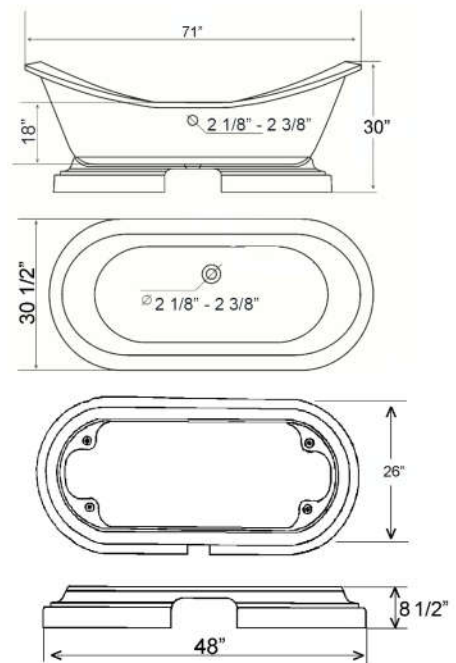
Gallon Capacity: 43 1/2
Shipping Weight: 740 lbs.
Empty Weight: 490 lbs.
Filled Weight: 854 lbs.

Features:

- ▶ Inside finish is white enamel
- ▶ 7" deck holes in long side of tub
- ▶ Pre-drilled overflow hole
- ▶ Tub exterior is white
- ▶ Non-skid strips
- ▶ Cutout in base for waste and overflow



Custom Colors Available (inside of tub is always white enamel):
Painted bathtubs are considered "special order" and are not returnable
\$160 Bisque or Black \$250 Designer Color



Dimensions of fixture are nominal and may vary within the range of tolerances established by ANSI Standard A112.19.2. Dimensions and specifications subject to change without notice.

TUB RIM MOUNT FILLER WITH HANDSHOWER

Cat. No.
4601



Features:

- ▶ Brass construction
- ▶ Elephant spout length is 5-3/4"
- ▶ Flow rate is 3.7 GPM
- ▶ Available with porcelain lever (**4601- PL**) or metal cross lever handles (**4601-MC**)
- ▶ Telephone handshower with cradle and hose
- ▶ Handshower flow rate 2.5 GPM
- ▶ Handshower includes backflow preventer
- ▶ 6" Elbow mounts included
- ▶ IAPMO approved
- ▶ 7" Centers for deck mounting on acrylic or cast iron tubs
- ▶ 1/4 Turn ceramic disc cartridges
- ▶ To be used with straight bath supplies, **Part #5577**

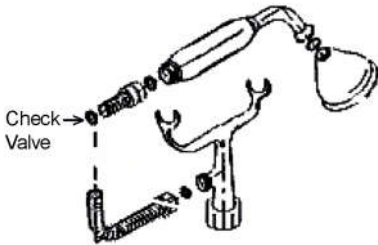
Finishes:

BP Polished Brass
CP Polished Chrome
SN Brushed Nickel

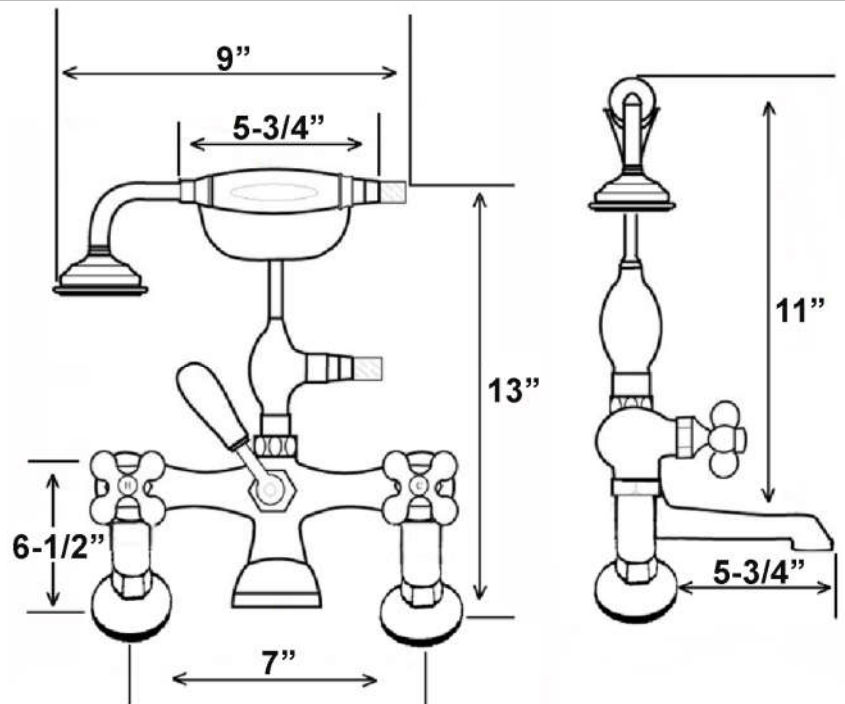
PN Polished Nickel
ORB Oil Rubbed Bronze



6" Elbow Mounts



Check
Valve



Dimensions are nominal and may vary. Dimensions and specifications subject to change without notice.

STRAIGHT BATH SUPPLIES

Cat.No.

5577



H: 24"

OD: 1/2"

Interior Dimensions:

Basin Interior: 13" x 11 7/8"

Basin Depth: 7 1/2"

Mount bolts height: 30"

Mount holes cc: 6"

Spout hole: 1 3/8"

Features:

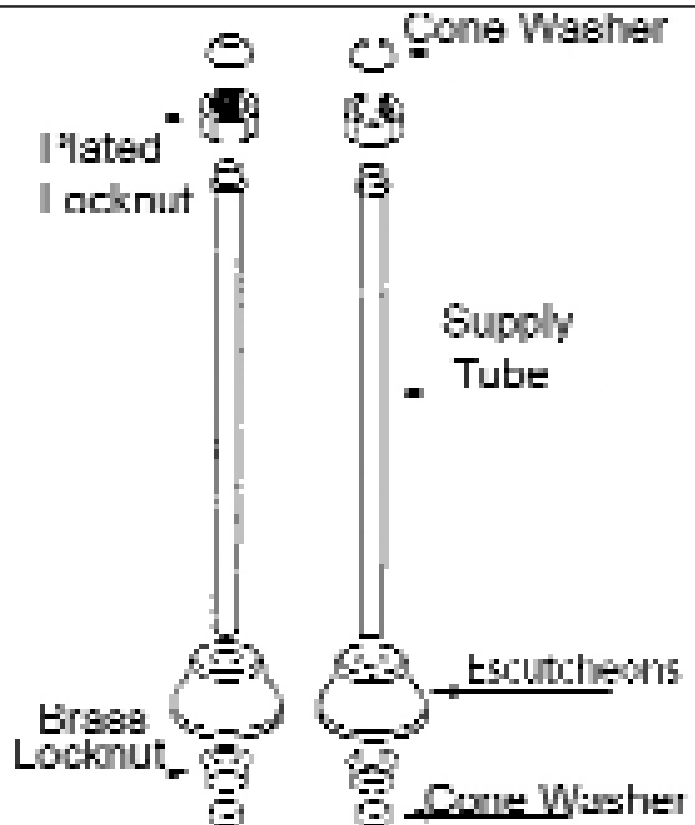
- ▶ For use with faucets mounted to the tub deck
- ▶ No stops
- ▶ 1/2" Compression inlet
- ▶ 3/4" Compression outlet
- ▶ Bottom flange 2-1/2" diameter
- ▶ 0.500" Outer diameter
- ▶ 0.400" Inner diameter
- ▶ 0.030" Thickness of the wall
- ▶ Available in 5 Finishes

Compliance Certification

Meets or exceeds the following specifications: ASME-A112 (and 19.6M) for Vitreous china fixtures. ASME 112.19.9M for fire clay fixtures.

Finishes:

- CP Polished Chrome
- SN Brushed Nickel
- BP Polished Brass
- ORB Oil Rubbed Bronze
- PN Polished Nickel



Use on concrete floors requires special installation. We recommend using a plumbing professional.

Dimensions and specifications subject to change without notice.

LEG TUB DRAIN

Cat. No.
5599



Escutcheon Height: 1-1/4"

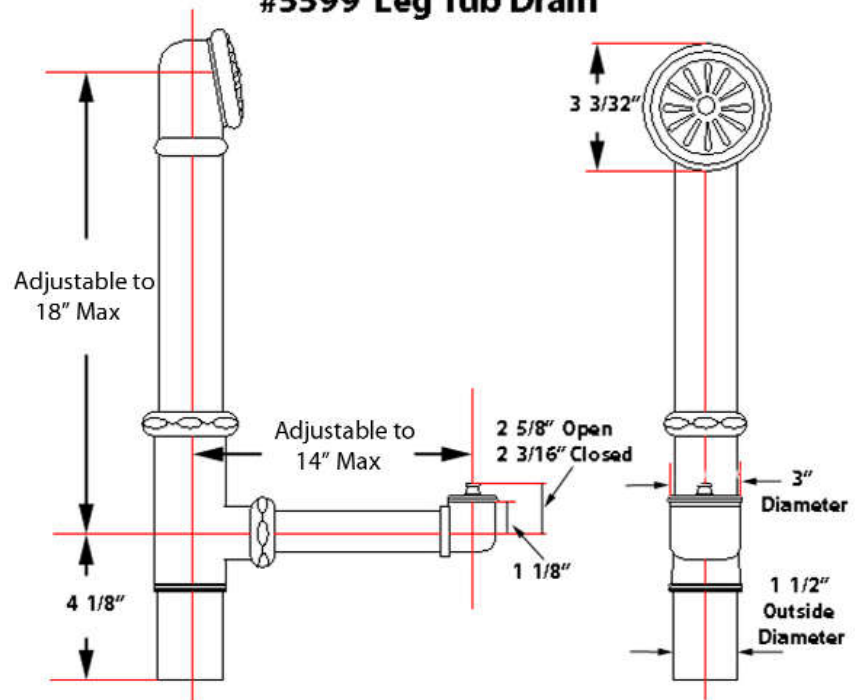
Features:

- ▶ Twist-and-lift stopper
- ▶ Includes deep escutcheon
- ▶ Height adjustable 15"-18"
- ▶ Depth adjustable 12"-14"
- ▶ Includes deep escutcheon
- ▶ IAPMO approved
- ▶ Available in 5 Finishes

Finishes:

- CP** Polished Chrome
- BP** Polished Brass
- SN** Brushed Nickel
- PN** Polished Nickel
- ORB** Oil Rubbed Bronze

#5599 Leg Tub Drain



Dimensions and specifications subject to change without notice.